

77V-LF Series

Press End Forged Ball Valve | Small Diameter 1/2" - 2"

LEAD FREE



"Apollo" PRESS



Job Name:	
Job Location:	
Engineer:	
Contractor:	
Tag:	
PO#:	
Rep.:	
Wholesale Dist.:	

DESCRIPTION

The APOLLOPRESS® 77VLF Series lead free* two-piece press ball valve is ideal for installation in most plumbing and heating systems, including potable water. Now with Leak Before Press® feature and 300 psig maximum working pressure. Proudly Made in the USA.

FEATURES

- Lead Free*, ANSI 3rd Party Certified and Listed
- Full-Port Flow
- Superior RPTFE Seats and Packing
- Adjustable Stem Packing
- Ridgid® XL Press Tool Compatible
- Leak Before Press® Technology
- Blowout-Proof Stem
- Corrosion Resistant Materials
- Silicone Free Assembly
- 100% Factory Tested
- **Made in USA, ARRA Compliant**

PERFORMANCE RATING[†]

- Maximum Operating Pressure: 300 psi
- Temperature Range: 0°F - 250°F

**APOLLOPRESS® connectors are designed for direct mechanical connection to ASTM B88-Type K, L, and M copper tubing in the hard drawn condition. Press connectors are not suitable for steam or flammable gas service.*

APPROVALS

- MSS SP-110 Ball Valves
- NSF/ANSI 61 Water Quality
- NSF/ANSI 372 Lead Free
- IAPMO/ANSI Z1157 Ball Valves
- Directive 2011/65/CE (RoHS)

APPROVED APPLICATIONS

- Water Including Potable Water
- Hydronic Heating (90% glycol max)
- Low Pressure Steam, 15 psi max
- Not Suitable for Flammable Gas Service
- Designed for Direct Mechanical Connection to ASTM B88-Type K, L, and M Copper Tubing in the Hard Drawn Condition
- Not Compatible with Soft Annealed Copper Tubing

OPTIONS

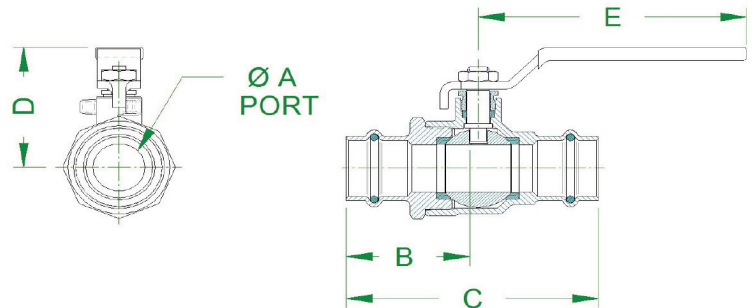
- (-01) Standard Lever Handle
- (-04) 2-1/4" Stem Extension 1/2" - 2-1/2"
- (-07) Tee Handle 1/2" - 2"
- (-11) Therma-Seal™
- Insulating Tee Handle 1/2" - 2"
- (-27) Locking Handle SS 1/2" - 2-1/2"
- 77V140 Series - SS Ball & Stem
- 77V-LF Large Diameter 2-1/2" - 4"

STANDARD MATERIALS LIST

BODY	Lead Free Brass, C27451
SEAT	RPTFE
BALL	Lead Free Brass, C27451, Chrome Plated
STEM PACKING	RPTFE
NUT	Corrosion Resistant Plated Steel
STEM	Lead Free Brass, C27451
RETAINER	Lead Free Brass, C27451
HANDLE	Plated Steel / Insulated Polyvinyl
GLAND	Brass, ASTM B16, C36000
O-RING SEALS	EPDM

DIMENSIONS

MODEL NUMBER	SIZE (IN.)	DIMENSIONS (IN.)					WT. (LB.)
		A	B	C	D	E	
77VLF10301	1/2"	0.50	1.57	2.89	1.66	2.85	0.4
77VLF10401	3/4"	0.75	1.90	3.63	1.91	3.86	0.9
77VLF10501	1"	1.00	2.20	3.88	2.11	3.86	1.2
77VLF10601	1-1/4"	1.25	2.23	4.22	2.44	4.75	2.3
77VLF10701	1-1/2"	1.50	2.84	5.45	2.91	5.42	3.4
77VLF10801	2"	2.00	3.40	6.57	3.69	7.77	6.0



*LEAD FREE: The wetted surfaces of this product shall contain no more than 0.25% lead by weighted average. Complies with Federal Public Law 111-380. ANSI 3rd party approved and listed.