

77V-LF Series

Press End Forged Ball Valve | Large Diameter 2-1/2" - 4"

LEAD FREE



"Apollo" PRESS



Job Name:	
Job Location:	
Engineer:	
Contractor:	
Tag:	
PO#:	
Rep:	
Wholesale Dist.:	

DESCRIPTION

The APOLLOPRESS® 77VLF Series lead free* ball valve is ideal for installation in most plumbing and heating systems including potable water. Features Leak Before Press® technology and 300 psig maximum working pressure. Proudly made in the USA.

FEATURES

- Lead Free*, ANSI 3rd Party Certified and Listed
- 2-Piece, Heavy Pattern Forged Design
- Full-Port Flow
- Adjustable Stem Packing
- Fast, Reliable, Economical Press Installation
- Rigid® XLC Press Tool Compatible
- Leak Before Press® Technology
- Blowout-Proof Stem
- Now Features 316SS Ball and Stem (Standard)
- Dezincification Resistant Materials
- Silicone Free Assembly
- 100% Factory Tested
- **Made in USA, ARRA Compliant**

PERFORMANCE RATING†

- Maximum Operating Pressure: 300 psi
- Temperature Range: 0°F - 250°F

**APOLLOPRESS® connectors are designed for direct mechanical connection to ASTM B88-Type K, L, and M copper tubing in the hard drawn condition. Press connectors are not suitable for steam or flammable gas service.*

APPROVALS

- MSS SP-110 Ball Valves
- NSF/ANSI 61 Water Quality
- NSF/ANSI 372 Lead Free
- Directive 2011/65/CE (RoHS)
- IAPMO/ANSI Z1157 Ball Valves (2-1/2"-4")

APPROVED APPLICATIONS

- Water - Chilled, Hot and Potable: 33° - 250°F
- Hydronic Heating (90% glycol max)
- Low Pressure Steam, 15 psi max
- Not Suitable for Flammable Gas Service
- Designed for Direct Mechanical Connection to ASTM B88-Type K, L, and M Copper Tubing in the Hard Drawn Condition.
- Not Compatible with Soft Annealed Copper Tubing

OPTIONS

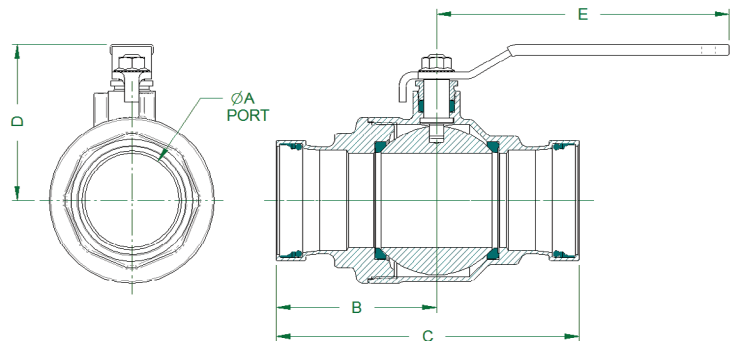
- (-01) Standard Lever Handle
- (-04) 2-1/4" Stem Extension 1/2" - 2-1/2"
- (-27) Locking Handle SS 1/2" - 2-1/2"
- 77V140 Series - SS Ball & Stem
- 77VLF - Small Diameter 1/2" - 2"

STANDARD MATERIALS LIST

BODY	Lead Free Brass, C27451
SEAT	RPTFE
BALL	316 SS
STEM PACKING	RPTFE
NUT	Corrosion Resistant Plated Steel
STEM	316 SS
RETAINER	Lead Free Brass, C27451
HANDLE	Plated Steel / Insulated Polyvinyl
GLAND	Brass, ASTM B16, C36000
O-RING SEALS	EPDM
CRIMP RING	316 SS
SPACER RING	Nylon

DIMENSIONS

MODEL NUMBER	SIZE (IN.)	DIMENSIONS (IN.)					WT. (LB.)
		A	B	C	D	E	
77VLF-149-01	2-1/2"	2.50	4.26	8.04	4.13	7.77	12.0
77VLF-140-01	3"	3.00	5.10	9.45	5.03	9.92	19.5
77VLF-14A-01	4"	4.00	5.20	10.35	5.70	14.78	26.0



*LEAD FREE: The wetted surfaces of this product shall contain no more than 0.25% lead by weighted average. Complies with Federal Public Law 111-380. ANSI 3rd party approved and listed.