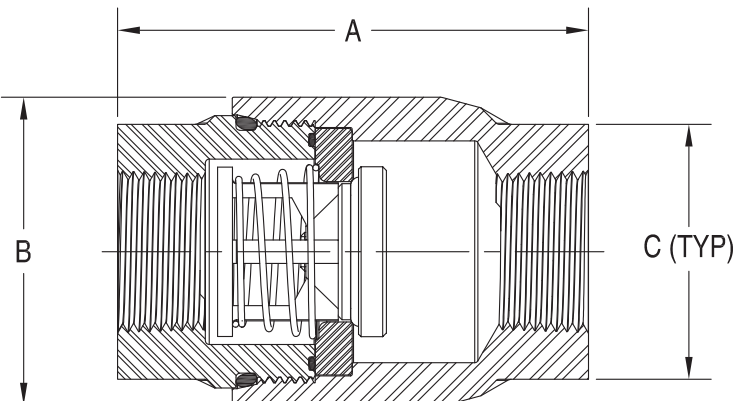




US Patent:
9885422

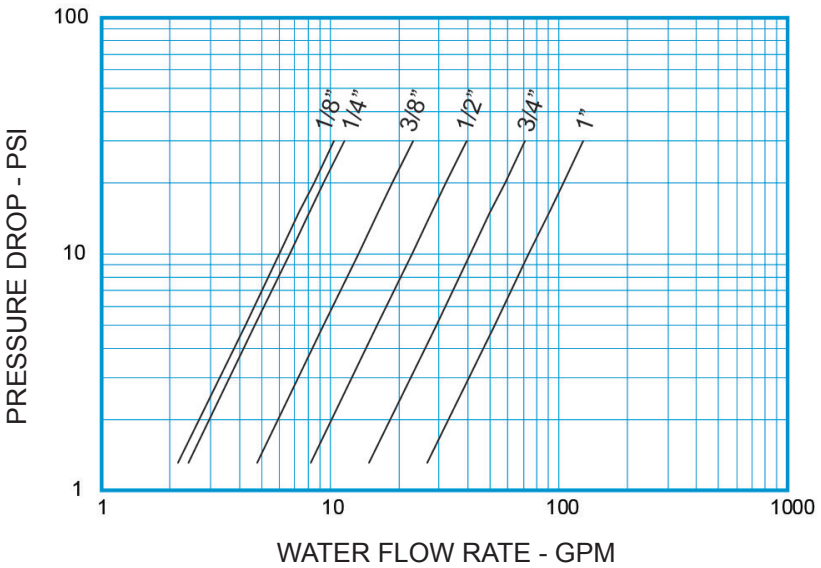
The **EPIC** Female Pipe valve is a poppet style check valve with female NPT threaded connections machined from 300 series stainless steel bar stock with Aflas® seat/seals and a 1/2-PSI stainless steel spring setting (cracking pressure) that can be installed in any flow orientation. This check valve achieves a high flow capacity and reduced pressure loss compared to other poppet style check valves of similar sized connections. Additionally, the **EPIC** series incorporates a drop-in replaceable check mechanism (Replaceable Insert Kit sold separately) that is easily installed into the existing body without requiring additional assembly of separate checking components.

Due to the materials of construction, high flow capacity, field repairability and the quality customers have come to expect from Check-All, the **EPIC** check valves are uniquely suited for a very wide range of applications in liquids, gases and steam.



Nominal Pipe Size	A	O.D. B	Hex Ends C	Part Number
1/8	2.33	1-1/4	1-1/8	EPIC-0125FP
1/4	2.33	1-1/4	1-1/8	EPIC-0250FP
3/8	2.75	1-7/16	1-3/16	EPIC-0375FP
1/2	3.15	1-3/4	1-1/2	EPIC-0500FP
3/4	3.35	2	1-5/8	EPIC-0750FP
1	3.81	2-1/2	2-1/8	EPIC-1000FP
1-1/2	4.75	3-1/2	2-3/4	EPIC-1500FP
2	5.13	4	3-3/8	EPIC-2000FP

EPIC Female Pipe For Water at 72° F



Temperature Rating
Recommended service temperature for the **EPIC** series is +10°F to 400°F.

Style EPIC Female Pipe C _v Values & Valve Weights				Non-Shock Pressure Rating (PSI)	
SIZE	C _v	SS	Part Number	100° F	400° F
1/8	1.9	9.5 oz.	EPIC-0125FP	1500	1100
1/4	2.1	9.1 oz.	EPIC-0250FP		
3/8	4.2	11.5 oz.	EPIC-0375FP		
1/2	7.2	1.3 lb.	EPIC-0500FP		
3/4	13.0	1.6 lb.	EPIC-0750FP		
1	23.4	2.8 lb.	EPIC-1000FP	1440	990
1-1/2	54.5	6.5 lb.	EPIC-1500FP	1200	825
2	94.5	8.9 lb.	EPIC-2000FP		

Valve weights are approximate.