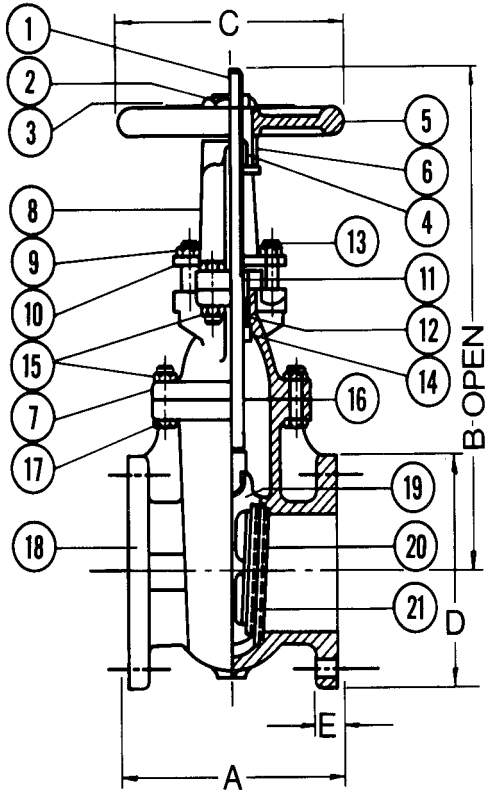


F-2885-M 14"-24"

Iron Gate Valve
100 SWP -150 WOG †
OS & Y • Solid Wedge Disc
Bolted Bonnet • Flanged Ends
Conforms to: MSS SP-70

Flange shape and drilling to specification ASME/ANSI B16.1 (125 lb.)



MATERIAL LIST			
No.	PART	MATERIAL	SPECIFICATION
1	Stem	Brass	ASTM B16
2	Handwheel Nut	Ductile Iron	
3	Name Plate	Aluminum	
4	Yoke Bushing	Cast Bronze	ASTM B62
5	Handwheel	Cast Iron	ASTM A126, Class B
6	Yoke Bushing Nut	Cast Iron	ASTM A126, Class B
7	Bonnet	Cast Iron	ASTM A126, Class B
8	Yoke	Cast Iron	ASTM A126, Class B
9	Gland Follower Nut	Steel	ASTM A307-B
10	Gland Follower	Ductile Iron	ASTM A536
11	Packing Gland	Cast Bronze	ASTM B62
12	Packing	Graphite	
13	Gland Follower Bolt	Steel	ASTM A307-B
14	Backseat Bushing	Cast Bronze	ASTM B62
15	Nut	Steel	ASTM A307-B
16	Body Gasket	Graphite	
17	Bolt	Steel	ASTM A307-B
18	Body	Cast Iron	ASTM A126, Class B
19	Wedge	Cast Iron	ASTM A126, Class B
20	Seat Ring	Cast Bronze	ASTM B62
21	Wedge Face Ring	Cast Bronze	ASTM B62

DIMENSIONS - INCHES/MILLIMETERS							
Units	Size	A	B	C	D	E	C _v
Inches	14.00	15.00	62.00	20.00	21.00	1.38	13800
mm		381	1575	508	533	35	
Inches	16.00	16.00	71.00	22.00	23.50	1.44	18375
mm		406	1803	559	570	37	
Inches	18.00	17.00	75.00	24.00	25.00	1.56	23600
mm		432	1905	610	635	40	
Inches	20.00	18.00	87.00	24.00	28.00	1.69	29600
mm		457	2210	610	699	43	
Inches	24.00	20.00	100.00	30.00	32.00	1.88	43570
mm		508	2540	762	813	48	

Suffix M – Signifies “MILVACO” Series International Valves.

† Non-Shock

INNOVATION IN EVERY VALVE

The information presented on this sheet is correct at time of publication. Milwaukee Valve reserves the right to change design and/or materials without notice. For our Installation, Operation and Maintenance Manual and the most current product information go to www.milwaukeevalve.com. State of California Prop 65 **WARNING:** Cancer and Reproductive Harm. For more information visit www.p65warnings.ca.gov.

MILWAUKEE VALVE