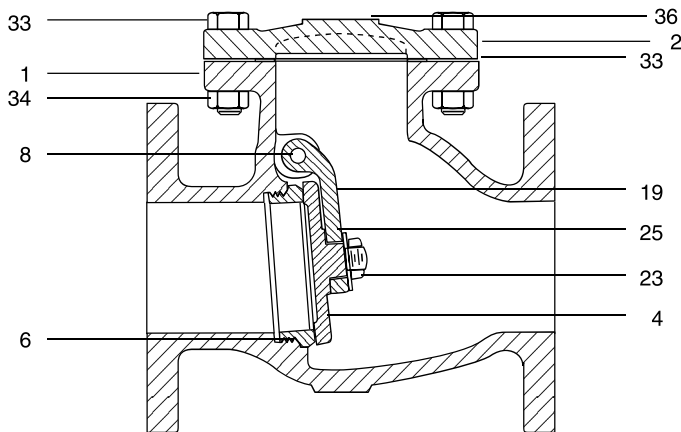


Class 125 • Bolted Cap • Bronze Trim • Flanged Ends

373 Check Valve



Dimensions and Weights Inches (millimeters) - Pounds (kilograms)

| Valve Size | Dimensions | | WT |
|------------|------------|--------|--------|
| | B | M | |
| 2 | 4.50 | 8.00 | 25 |
| | (114) | (203) | (11) |
| 2 ½ | 5.38 | 8.50 | 30 |
| | (137) | (216) | (14) |
| 3 | 5.88 | 9.50 | 42 |
| | (149) | (241) | (19) |
| 4 | 6.62 | 11.50 | 74 |
| | (168) | (292) | (33) |
| 5 | 7.75 | 13.00 | 100 |
| | (197) | (330) | (45) |
| 6 | 8.25 | 14.00 | 125 |
| | (210) | (356) | (56) |
| 8 | 10.25 | 19.50 | 230 |
| | (260) | (495) | (104) |
| 10 | 12.00 | 24.50 | 490 |
| | (305) | (622) | (219) |
| 12 | 13.75 | 27.50 | 660 |
| | (349) | (699) | (317) |
| 14 | 15.50 | 31.00 | 794 |
| | (393) | (787) | (360) |
| 16 | 17.63 | 36.00 | 1020 |
| | (447) | (914) | (462) |
| 18 | 19.25 | 36.00 | 1304 |
| | (610) | (914) | (591) |
| 20 | 27.62 | 40.00 | 2590 |
| | (702) | (1016) | (1117) |
| 24 | 31 | 46.00 | 3840 |
| | (787) | (1168) | (1745) |

Materials of Construction

| No. | Description | Material | ASTM |
|-----|----------------------|---------------------------------|-------------------|
| 1 | Body | Cast Iron | A126 Class B |
| 2 | Cap | Cast Iron | A126 Class B |
| 4 | Disc | Bronze (2" - 6") | B584 C84400 |
| | | Cast Iron (8" - 24") | A126 Class B |
| 6 | Seat Ring | Bronze (2" - 12") | B584 C84400 |
| | | Bronze (14" - 24") | B584 C84400 |
| 7 | Disc Ring | Bronze (8" - 12") | B584 C84400 |
| | | Bronze (14" - 24") | B584 C84400 |
| 8 | Hinge Pin | Alum Silicon Bronze (2" - 8") | B150 C64200 |
| | | Naval Brass (10" - 12") | B21 C48200 |
| | | Stainless Steel (14" - 16") | |
| | | Stainless Steel (18" - 24") | |
| 19 | Hinge | Bronze (2" - 6") | B584 C84400 |
| | | Ductile Iron (8" - 12") | A536 Gr. 65-45-12 |
| | | Ductile Iron (18" - 24") | A536 Gr. 65-45-12 |
| | | Carbon Steel (14" - 16") | |
| 20 | Disc Stud | Steel (8" - 16") | A108 |
| | | Steel (18" - 24") | A108 |
| 21 | Disc Stud Pin | 18-8 Stainless Steel (8" - 16") | |
| | | Steel (18" - 24") | |
| 23 | Disc Nut | Brass (2" - 6") | B16 C36000 |
| | | Steel (8" - 24") | A563 Gr. A |
| 24 | Side Plug | Brass (2" - 16") | B16 C36000 |
| | | Ductile Iron (18" - 24") | A536 Gr. 65-45-12 |
| 25 | Disc Washer | Brass (2" - 6") | B36 |
| | | Steel (8" - 16") | |
| 26 | Lockwasher* | Steel (18" - 24") | |
| 27 | Plain Washer* | Steel (18" - 24") | |
| 28 | Hinge Pin Bushing* | Brass (2" - 12") | B16 C36000 |
| | | Bronze (14" - 16") | |
| 32 | Bonnet Gasket | Aramid Fibers with SBR Binder | |
| 33 | Cap Bolt | Carbon Steel | A307 Gr. B |
| 34 | Cap Bolt Nut | Carbon Steel | A563 Gr. A |
| 36 | Identification Plate | Aluminum | |

* Not shown

See page 5 for Pressure Temperature Ratings

Industry Standards

Military Specification: MIL-V-18436

MSS SP-71, Type 1

