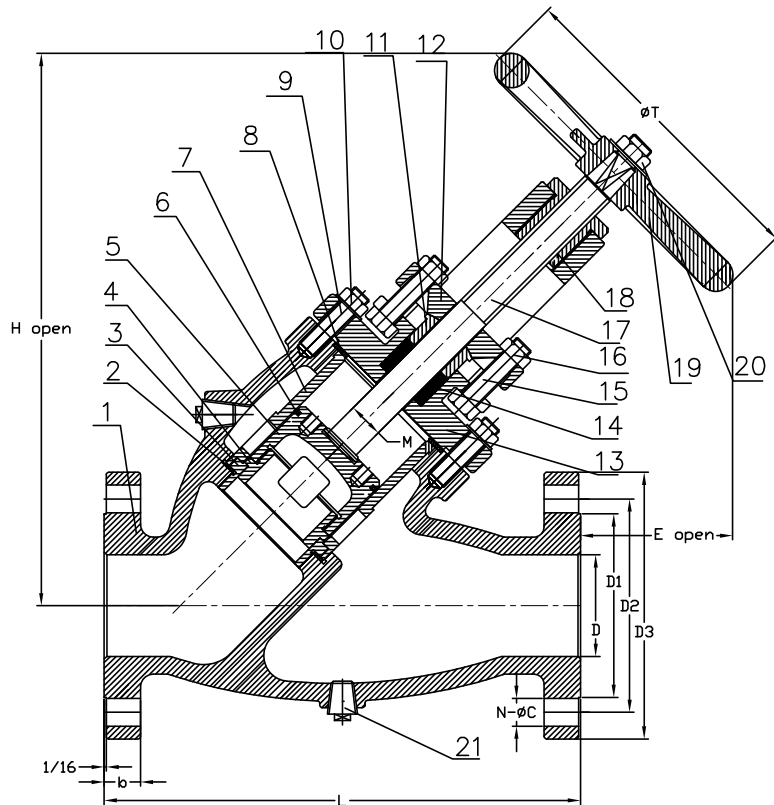


**Class 250 • Bolted Bonnet • OS&Y • Bronze Trim • Flanged**

**28E Stop Check Valve**



**Materials of Construction**

No.	Description	Material	ASTM
1	Body	Ductile Iron	A536
2	Body Seat Gasket	Graphite	
3	Body Seat Ring	Cast Bronze	B62
4	Disc Seal	Cast Bronze	B62
5	Disc	Ductile Iron	A536
6	Piston Ring	Alloy Cast Iron	
7	Disc Guide	Ductile Iron	A536
8	Body Gasket	Graphite	
9	Bolts	Steel	A193 B7
10	Nuts	Steel	A194 2H
11	Packing Gland	Cast Brass	B62
12	Gland Follower	Ductile Iron	A536
13	Bonnet	Ductile Iron	A536
14	Packing	Die-formed Compressed Graphite	
15	Bolts	Steel	A193 B7
16	Nuts	Steel	A194 2H
17	Stem	Stainless Steel	410
18	Stem Nut	Cast Brass	B62
19	Handwheel	Cast Iron	A126 B
20	Nut	Steel	A194 2H
21	Drain Plug	Stainless Steel	304

See pages 23-26 for sizing and other Technical Data

NOTE: Contact your CRANE<sup>®</sup> representative if you wish to have basic flow calculations performed by CRANE<sup>®</sup> to advise the possible sizes appropriate for your application.

**Dimensions and Weights**

Inches (millimeters) - Pounds (kilograms)

**Features:**

- Valve designed for steam applications that operate between 100 and 250 psig.
- The Stop-Check feature of this valve requires a minimum of 50 psi pressure differential between piping system and boiler to operate properly.

Drain Plug Sizing Chart	
2 1/2" - 6" Valves	1/2" NPT Plug
6" - 10" Valves	3/4" NPT Plug

Valve Size	Dimensions										WT	
	D	D1	D2	D3	L	b	N - øC	M	H (Open)	E (Open)		T
2 1/2	2.50 (64)	4.94 (125)	5.86 (149)	7.50 (191)	13.00 (330)	1.00 (25)	8 - ø7/8	1.13 (29)	15.75 (400)	5.00 (127)	10.00 (254)	103 (47)
	3	3.00 (76)	5.69 (145)	6.63 (168)	8.25 (210)	14.75 (375)		1.13 (29)	8 - ø7/8	1.13 (29)	18.69 (474)	6.29 (159)
4	4.00 (102)	6.31 (160)	7.86 (200)	10.00 (254)	17.00 (432)	1.25 (32)	8 - ø7/8	1.25 (32)	21.47 (545)	7.61 (193)	10.13 (257)	226 (103)
5	5.00 (127)	8.31 (211)	9.25 (235)	11.00 (279)	19.00 (483)	1.38 (35)	8 - ø7/8	1.50 (38)	24.46 (621)	9.38 (238)	14.00 (355)	307 (139)
6	6.00 (152)	9.69 (246)	10.63 (270)	12.50 (318)	21.50 (546)	1.44 (37)	12 - ø7/8	1.50 (38)	28.82 (732)	11.26 (286)	17.75 (450)	420 (191)
8	8.00 (203)	11.94 (303)	13.00 (330)	15.00 (381)	26.00 (660)	1.63 (41)	12 - ø1	1.63 (41)	35.62 (904)	15.19 (385)	20.00 (508)	737 (335)
10	10.00 (254)	14.06 (357)	15.25 (387)	17.50 (445)	30.00 (762)	1.88 (48)	-	1.75 (44)	-	-	-	1250 (568)