



MASON INDUSTRIES, Inc.
MERCER RUBBER Co.

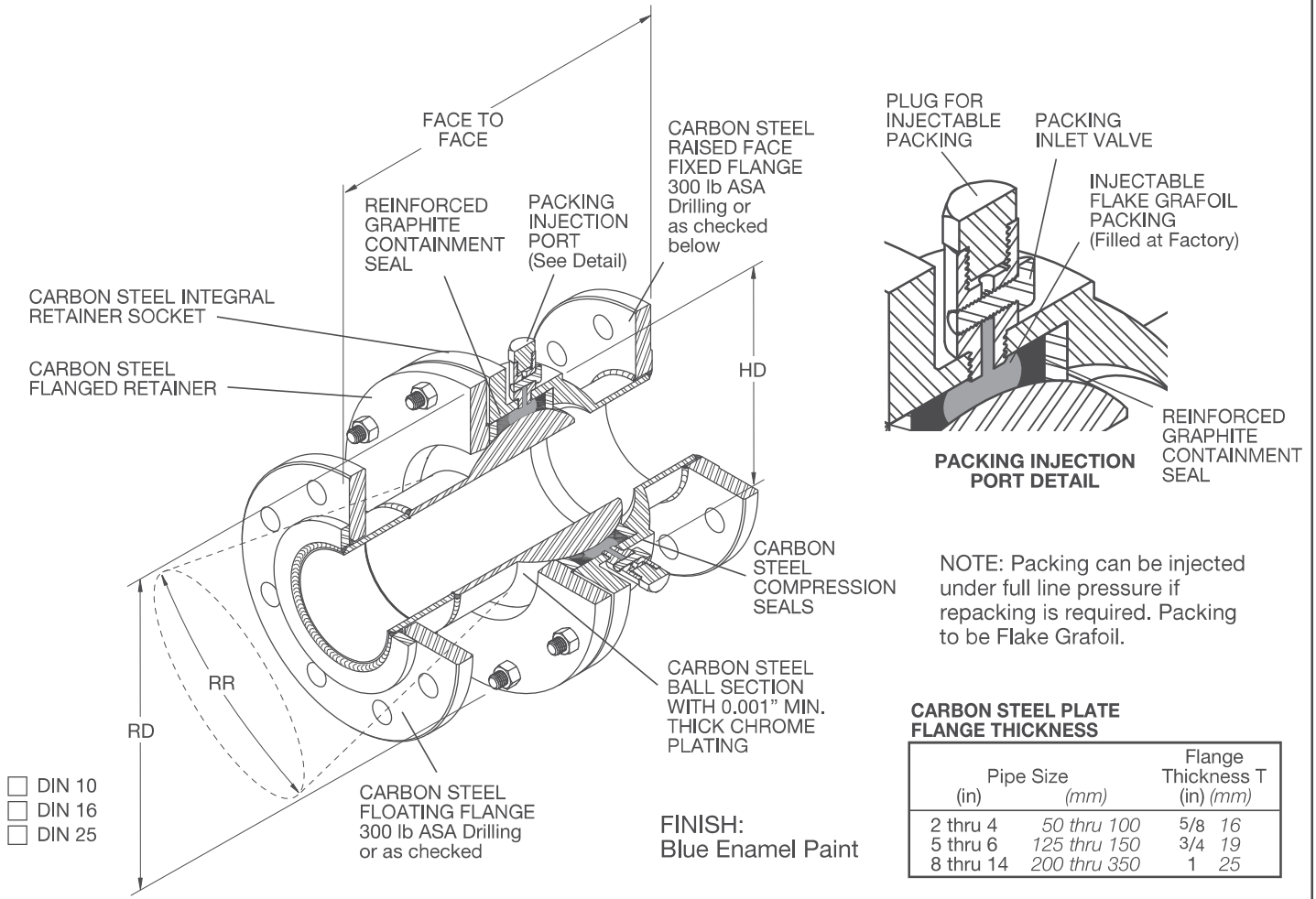
350 Rabro Drive, Hauppauge, NY 11788
 Mason- 631/348-0282 • Info@Mason-Ind.com
 Mercer- 631/582-1524 • Info@Mercer-Rubber.com.
 FAX 631/348-0279



JOB NAME _____
 CUSTOMER _____
 CUSTOMER P.O. _____
 MASON M. _____
 DWG No. _____

BJF300

**BALL JOINT with
 FIXED and
 FLOATING
 FLANGES**



BJF300 DIMENSIONS AND PRESSURE RATINGS

Type & Size	Pipe Size (in) (mm)	Face to Face (in) (mm)	RD Retainer Diameter (in) (mm)	HD Housing Diameter (in) (mm)	RR* Rated Rotation (degrees)	Rated Pressure @480°F @250°C (psi) (kg/cm ²)	Number of Ports
BJF300-2	2 50	101/4 260	- -	51/4 135	30	250 17	3
BJF300-2 1/2	2 1/2 65	111/8 283	- -	6 150	15	250 17	3
BJF300-3	3 80	113/4 298	- -	6 1/2 165	15	250 17	3
BJF300-4	4 100	133/4 349	107/8 275	77/8 200	15	250 17	4
BJF300-5	5 125	137/8 352	12 305	9 230	15	250 17	4
BJF300-6	6 150	151/8 384	13 1/4 340	10 1/2 265	15	250 17	5
BJF300-8	8 200	175/8 448	16 405	13 330	15	250 17	6
BJF300-10	10 250	191/4 489	19 3/8 492	16 405	15	250 17	7
BJF300-12	12 300	213/8 543	22 557	18 1/2 470	15	250 17	8
BJF300-14	14 350	221/2 572	23 5/8 600	20 510	15	250 17	9

*NOTE: All ball joints provide 360° torsional rotation.

QTY	SIZE	TAG

QTY	SIZE	TAG