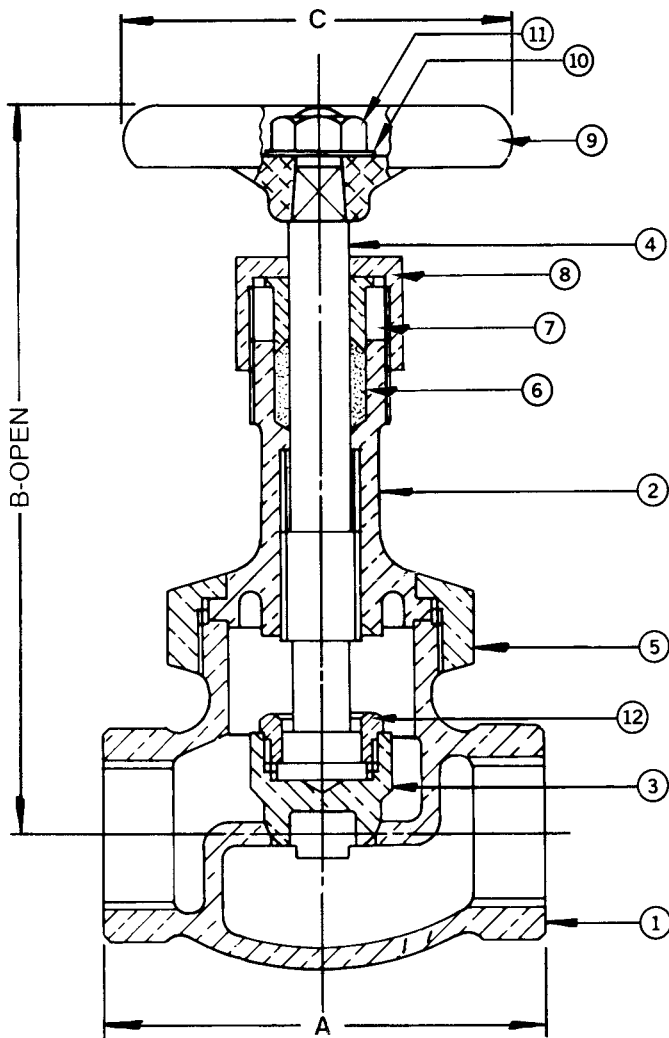


# 570 1/8"-3"

**Bronze Globe Valve  
200 SWP - 400 WOG †  
Bronze Renewable Disc  
Union Bonnet • Threaded Ends  
Conforms to: MSS SP-80**



Note: Not intended for use in potable water.

MATERIAL LIST			
No.	PART	MATERIAL	SPECIFICATION
1	Body	Bronze	ASTM B61
2	Bonnet	Bronze	ASTM B61
3	Disc	Bronze	ASTM B61
4	Stem	Bronze	ASTM B61
5	Union Bonnet Nut	Bronze	ASTM B61
6	Packing	Graphite	Commercial
7	Gland	Brass	ASTM B 124 C37700
8	Packing Nut	Brass	ASTM B16
9	Handwheel	Mall. Iron	Commercial
10	Name Plate	Aluminum	Commercial
11	Handwheel Nut	Brass	Commercial
12	Disc Ring	Bronze	Commercial

1/8" to 1/2" sizes have the disc integral with the stem and have no disc ring

DIMENSIONS - INCHES/MILLIMETERS					
Units	Size	A	B	C	C <sub>v</sub>
Inches mm	1/8	2.06 52	4.00 102	2.00 51	0.61
Inches mm	1/4	2.06 52	4.00 102	2.00 51	1.16
Inches mm	3/8	2.06 52	4.25 108	2.00 51	2.21
Inches mm	1/2	2.44 62	4.63 118	2.50 64	3.64
Inches mm	3/4	2.94 75	5.19 132	2.75 70	6.65
Inches mm	1	3.75 95	6.38 162	3.44 87	11.10
Inches mm	1 1/4	4.25 108	7.00 178	3.75 95	20.00
Inches mm	1 1/2	4.75 121	7.69 195	4.25 108	28.00
Inches mm	2	5.75 146	9.00 229	4.75 121	48.00
Inches mm	2 1/2	6.75 172	10.25 260	5.50 140	70.00
Inches mm	3	8.00 203	12.00 305	6.00 152	111.00

† Non-Shock

**INNOVATION** IN EVERY VALVE

The information presented on this sheet is correct at time of publication. Milwaukee Valve reserves the right to change design and/or materials without notice. For our Installation, Operation and Maintenance Manual and the most current product information go to [www.milwaukeevalve.com](http://www.milwaukeevalve.com). State of California Prop 65 **WARNING:** Cancer and Reproductive Harm. For more information visit [www.p65warnings.ca.gov](http://www.p65warnings.ca.gov).

  
**MILWAUKEE VALVE**