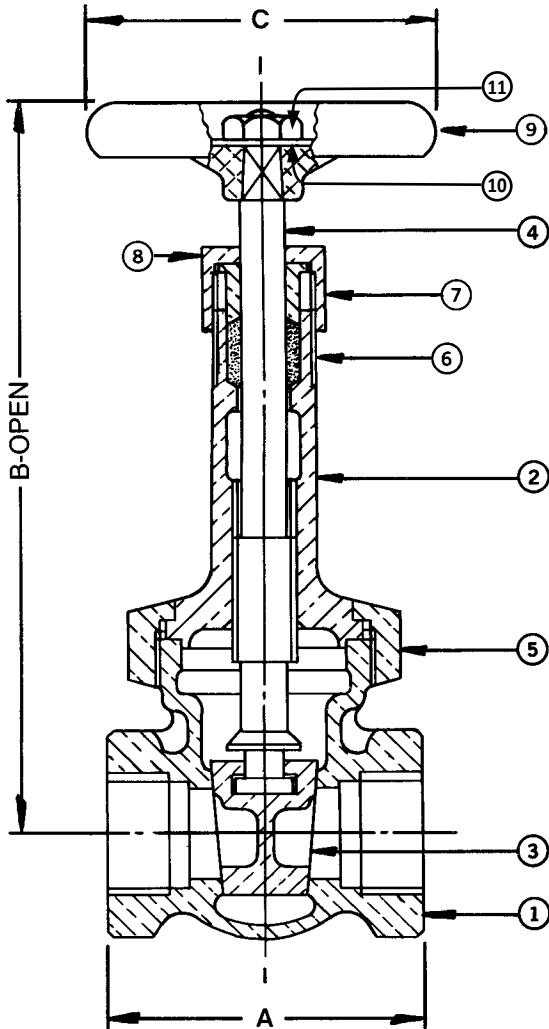


# 1152 1/4"-3"

**Bronze Gate Valve**  
**125 SWP - 200 WOG †**  
**Solid Wedge Disc • Rising Stem**  
**Union Bonnet • Threaded Ends**  
**Conforms to: MSS SP-80**



Note: Not intended for use in potable water.

MATERIAL LIST			
No.	PART	MATERIAL	SPECIFICATION
1	Body	Bronze	ASTM B62
2	Bonnet	Bronze	ASTM B62
3	Wedge Disc	Bronze	ASTM B62
4	Stem	Bronze	ASTM B62
5	Union Bonnet Nut	Bronze	ASTM B62
6	Packing	Graphite	Commercial
7	Gland	Brass	ASTM B124 C37700
8	Packing Nut	Brass	ASTM B283 C37700
9	Handwheel	Mall. Iron	Commercial
10	Name Plate	Aluminum	Commercial
11	Handwheel Nut	Brass	ASTM B 16

DIMENSIONS - INCHES/MILLIMETERS					
Units	Size	A	B	C	C <sub>v</sub>
Inches	1/4	1.75	5.13	2.00	5.6
mm		45	130	51	
Inches	3/8	1.88	5.13	2.00	10.7
mm		48	130	51	
Inches	1/2	2.13	5.50	2.50	17.6
mm		54	140	64	
Inches	3/4	2.25	6.25	2.75	32.0
mm		57	159	70	
Inches	1	2.56	7.19	2.75	54.0
mm		65	183	70	
Inches	1 1/4	2.78	8.56	3.44	97.0
mm		71	218	87	
Inches	1 1/2	3.25	9.63	3.75	135.0
mm		83	245	95	
Inches	2	3.63	11.75	4.25	230.0
mm		92	299	108	
Inches	2 1/2	4.50	14.50	4.75	337.0
mm		114	368	121	
Inches	3	4.88	16.75	5.25	536.0
mm		124	426	133	

† Non-Shock

**INNOVATION** IN EVERY VALVE

The information presented on this sheet is correct at time of publication. Milwaukee Valve reserves the right to change design and/or materials without notice. For our Installation, Operation and Maintenance Manual and the most current product information go to [www.milwaukeevalve.com](http://www.milwaukeevalve.com). State of California Prop 65 **WARNING:** Cancer and Reproductive Harm. For more information visit [www.p65warnings.ca.gov](http://www.p65warnings.ca.gov).



**MILWAUKEE VALVE**